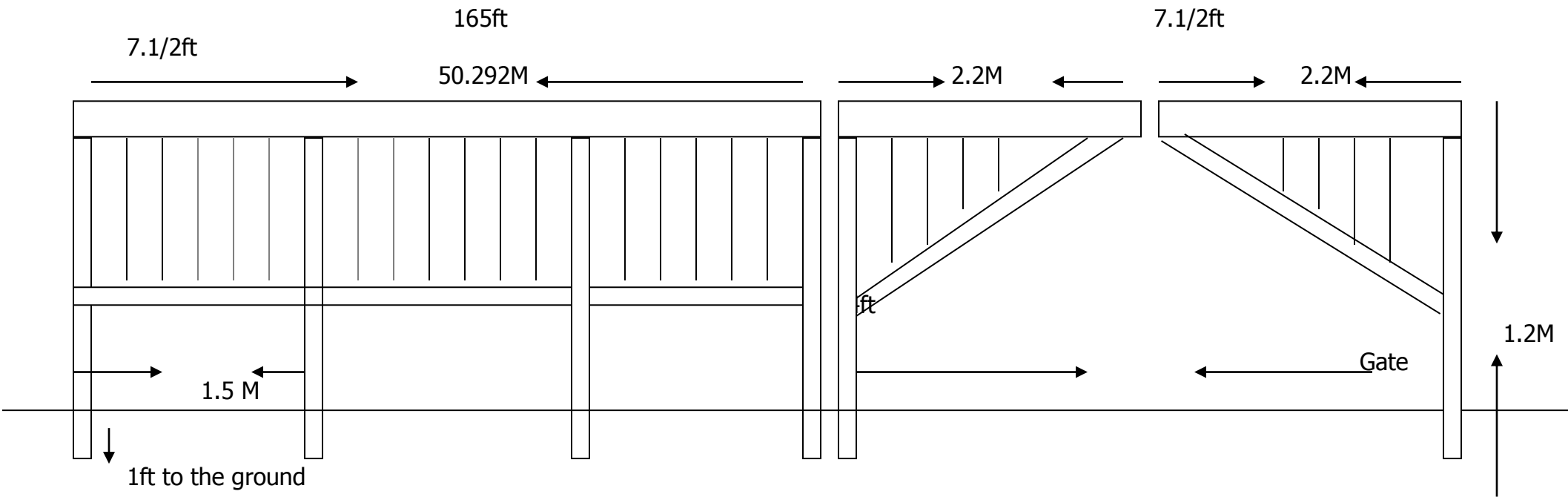


NATIONAL SPORTS COUNCIL

HANDRAILS HR 1551-36 FOR CAR PARK

Fig 1 Entrance



Tel: +234 80 601 80786
Email: sales@cic-wa.com